



TRIUMPH NON GSA
ELECTRIC TABLE BASE

- Height Adjustment Range: 19.5"
 - LOW: 26" | HIGH 45.5"
- Adjustment Speed: 1.4"/second
- Lifting Capacity: 180 lbs
- Adjustable Cross Channels
- Soft Start feature allows the user to ease-in to a height adjustment
- Anti-Collision Safety Feature

- SILVER (-SLV)
- BLACK (-BLK)
- WHITE (-WHT)

Example: 2VT-C28-24-**BLK** =
2 Leg Victory with 28 x 24 cross
channels in **BLACK**



AVAILABLE 2 LEG WORK SURFACES

*CALL CUSTOMER SERVICE FOR 120° WORK SURFACE OPTIONS.



RECTANGLE



PENINSULA



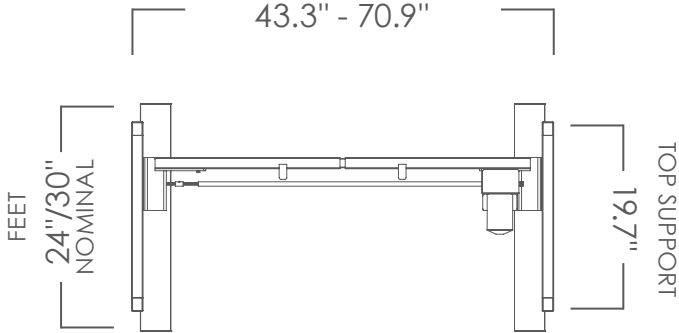
SMALL EQUAL
CORNER



120 DEGREE*

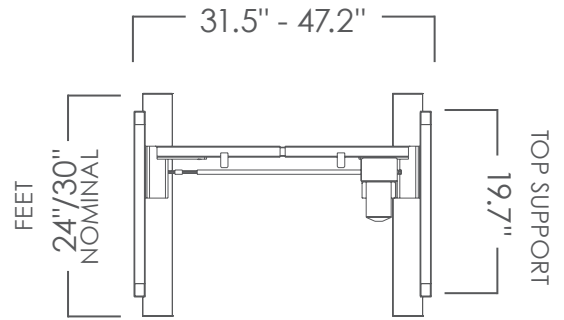
2T-C40-24 & 2T-C40-30 WIDTH ADJUSTS FROM

43.3" - 70.9"



2T-C28-24 & 2T-C28-30 WIDTH ADJUSTS FROM

31.5" - 47.2"



DIGITAL KEYPAD TRIUMPH UPGRADE



- Digital programmable switch with 3 memory settings
- Low Standby Power Consumption

PART #

DGTLKPD-VE3

CASTERS

Set of 4 casters for TRIUMPH 2 leg

- Increases height by 2"

PART #

CASTER-SP2