



**VICTORY** NON GSA  
ELECTRIC TABLE BASE

- Height Adjustment Range: 25.3"
  - LOW: 24.4" | HIGH: 49.7"
- Adjustment Speed: 1.4"/second
- Lifting Capacity:
- 220 lbs (2-leg) / 330 lbs (3-leg)
- Adjustable Cross Channels
- Soft Start feature allows the user to ease-in to a height adjustment
- Anti-Collision Safety Feature

- SILVER (-SLV)
- BLACK (-BLK)
- WHITE (-WHT)

Example: 2VT-C28-24-**BLK** =  
2 Leg Victory with 28 x 24 cross  
channels in **BLACK**

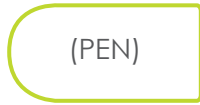


AVAILABLE 2 LEG WORK SURFACES

\*CALL CUSTOMER SERVICE FOR 120° WORK SURFACE OPTIONS.



RECTANGLE



PENINSULA

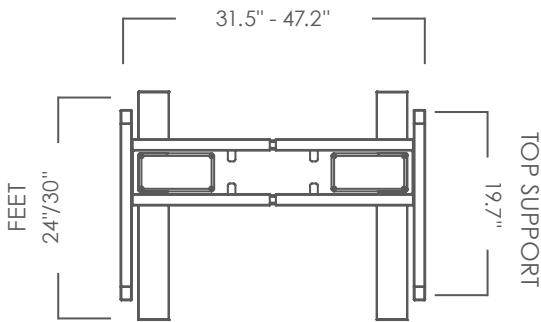


SMALL EQUAL CORNER

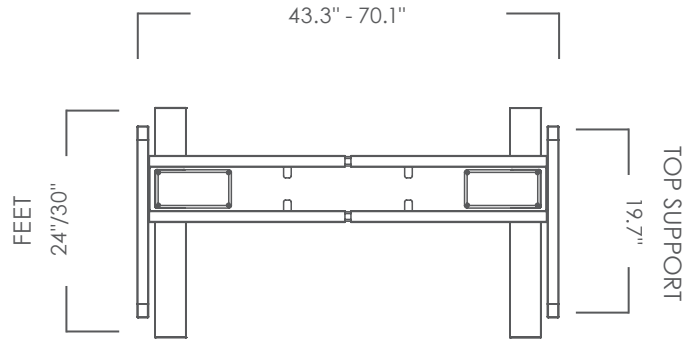


120 DEGREE\*

**2VT-C36-24 & 2VT-C36-30**  
WIDTH ADJUSTS FROM



**2VT-C48-24 & 2VT-C48-30**  
WIDTH ADJUSTS FROM



**DIGITAL KEYPAD**  
VICTORY UPGRADE



- Digital programmable switch with 3 memory settings
- Low Standby Power Consumption

PART #  
**DGTLKPD-VE3**

**CASTERS**

Set of 4 casters for Victory 2 leg

- Increases height by 2"

PART #  
**CASTER-SP2**